

1

2

3

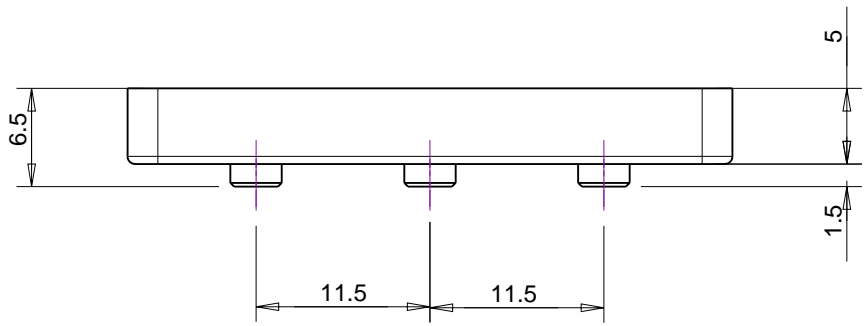
4

5

6

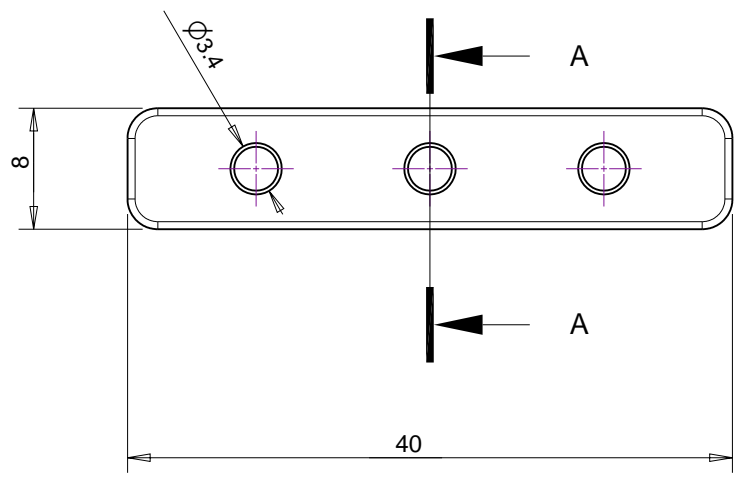
RevNo	Revision note	Date	Signature	Checked
-------	---------------	------	-----------	---------

A

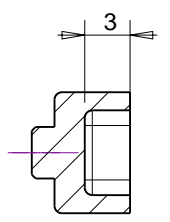


A

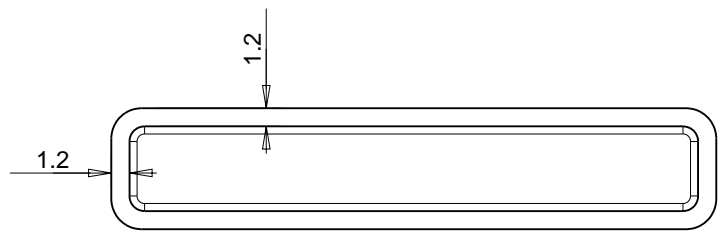
B



B



Section A-A

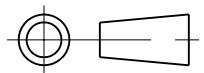


C

D

D

Drawn by	Checked by	Approved by	Product	Body mount blaket
KOTOUDA		KOTOUDA	Tittle	ボディマウントアダプタ
			Drawn No.	04ER0083 - 00
CRAFT-ONE			Scale	/
			File Name	body_mount_adaptor_2pcs



1

2

3

4

5

6