

1

2

3

4

RevNo

Revision note

Date

Signature

Checked

A

A

B

B

C

C

D

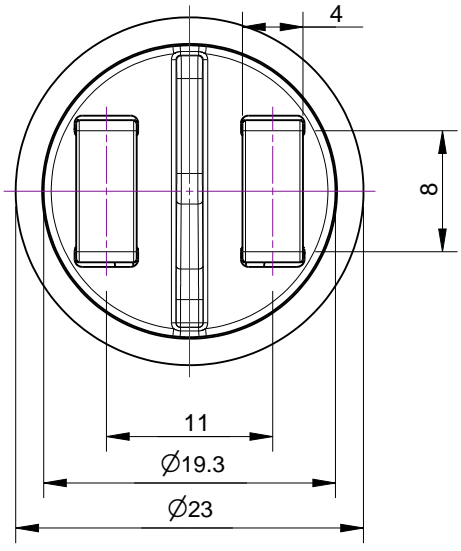
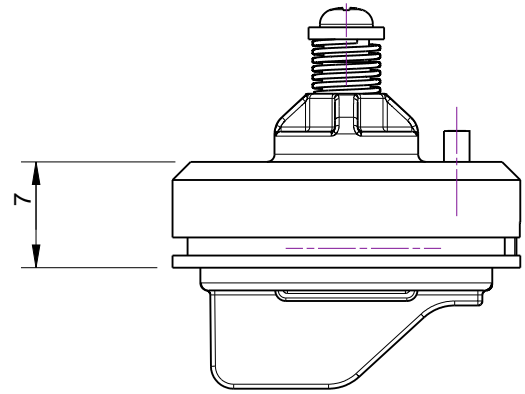
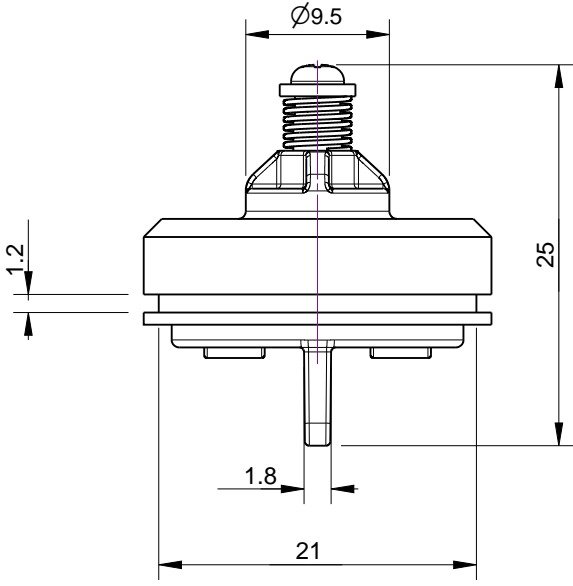
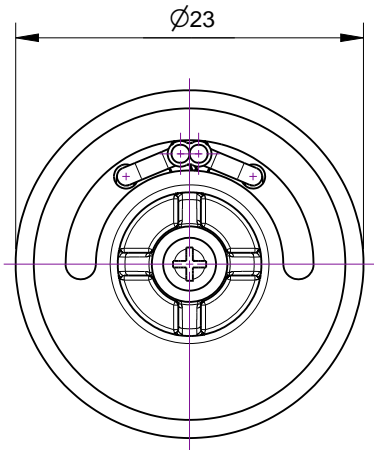
D

E

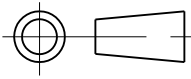
E

F

F



Drawn by	Checked by	Approved by	Product	adjustable blade
kotouda		kotouda	Title	アジャスタブルブレード
2016/05/26		2016/05/26	Drawn No.	04CR1005 - 00
CRAFT-ONE			Scale	2 : 1
			File Name	adjustable_blade_assy



1

2

3

4